

Wiley Electronics LLC

Washer, Electrical Equipment Bond

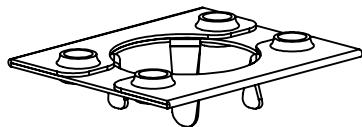
WEEB

Patent Pending

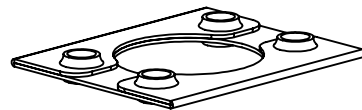
INSTALLATION INSTRUCTIONS

For Pole Mounts

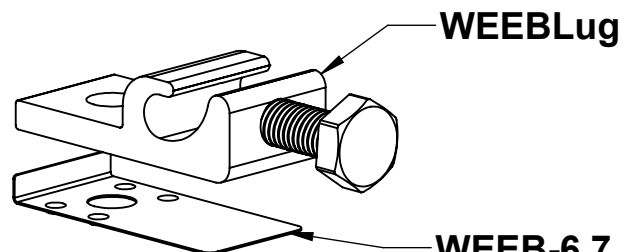
Please read carefully before installing.



WEEB-9.5



WEEB-9.5NL



WEEBL-6.7 assembly



Intertek

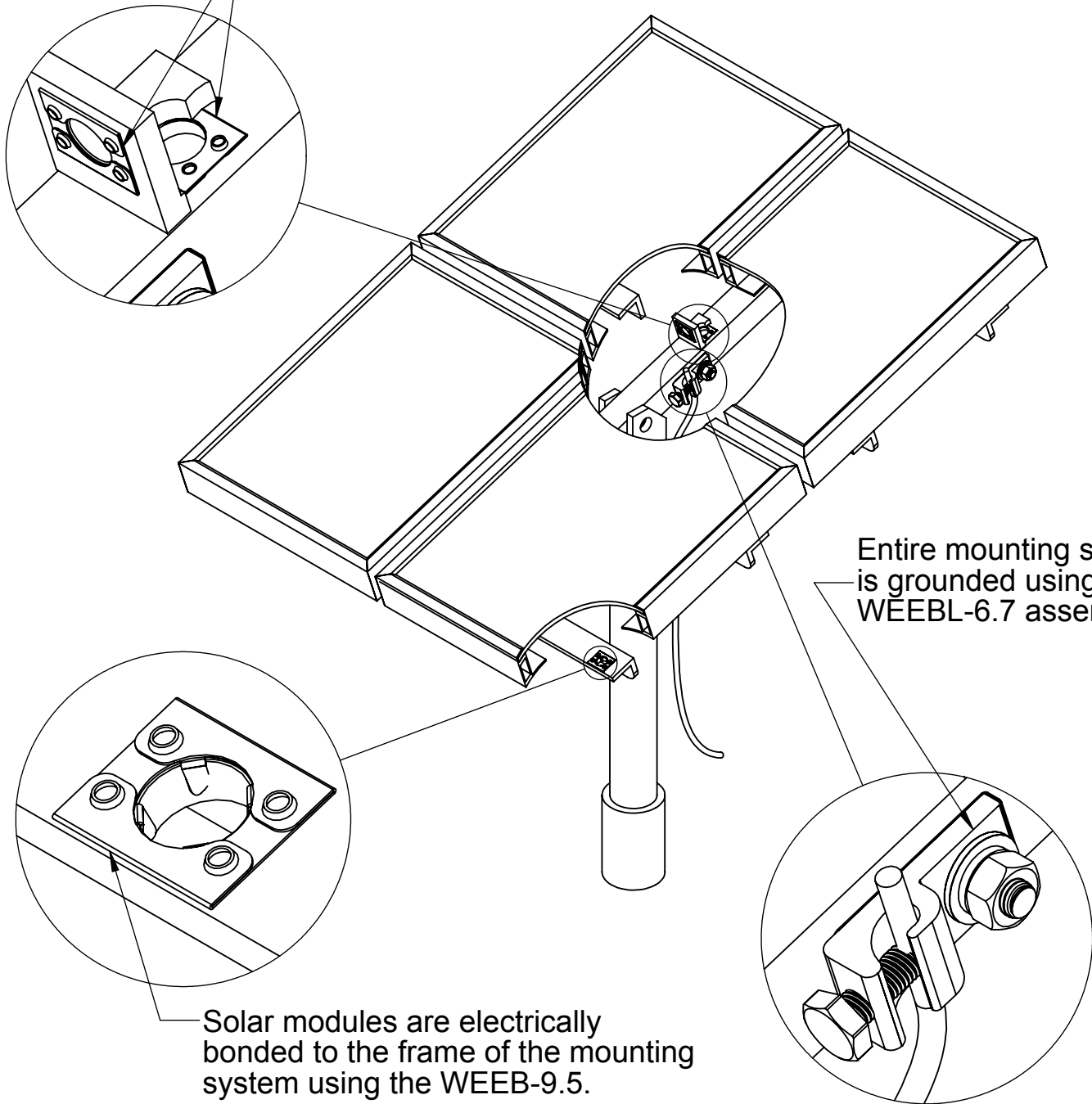
Products are tested to UL 467 3098177
UL standard for safety grounding and bonding equipment

Document Number 104-0404-000043-000

Wiley Electronics LLC. 2006-2010© – All Rights Reserved

System Overview

Components of the mounting structure are electrically bonded using the WEEB-9.5NL.



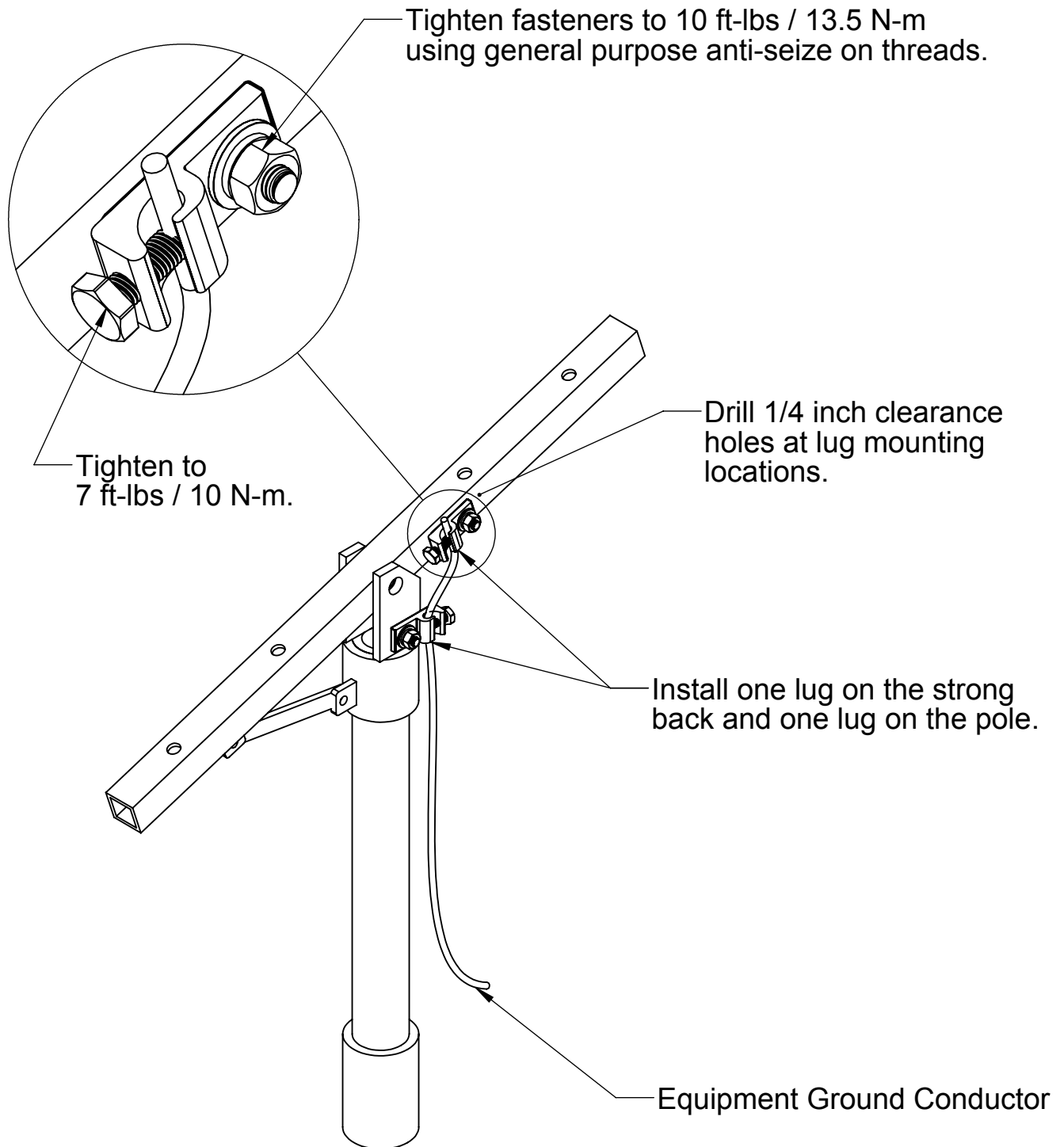
Entire mounting structure is grounded using the WEEBL-6.7 assembly.

Solar modules are electrically bonded to the frame of the mounting system using the WEEB-9.5.

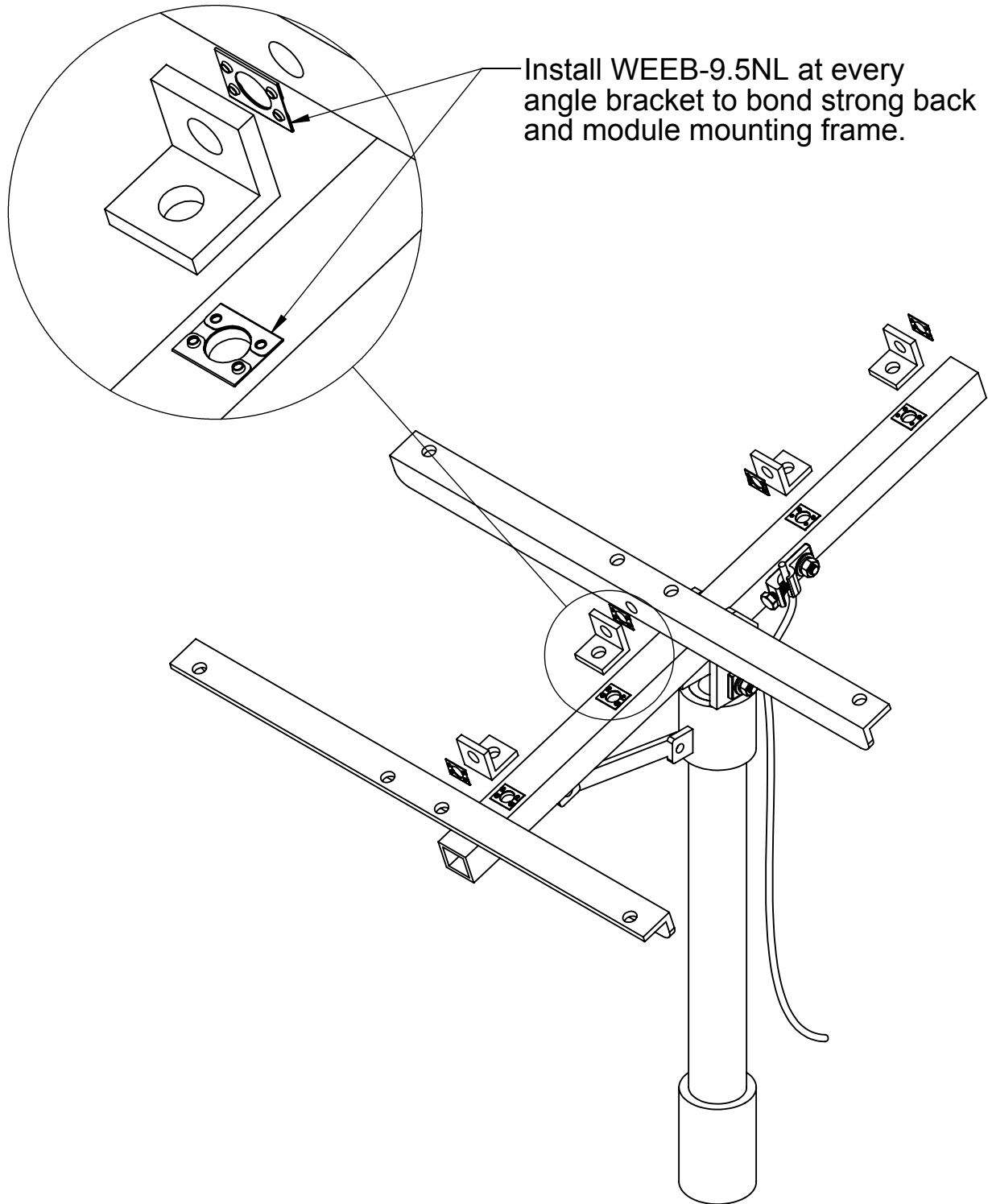
Important notes:

1. Use general purpose anti-seize compound on fastener threads when installing WEEBs.
2. WEEBs are intended for **SINGLE USE ONLY**. Functionality will not be guaranteed if reused.

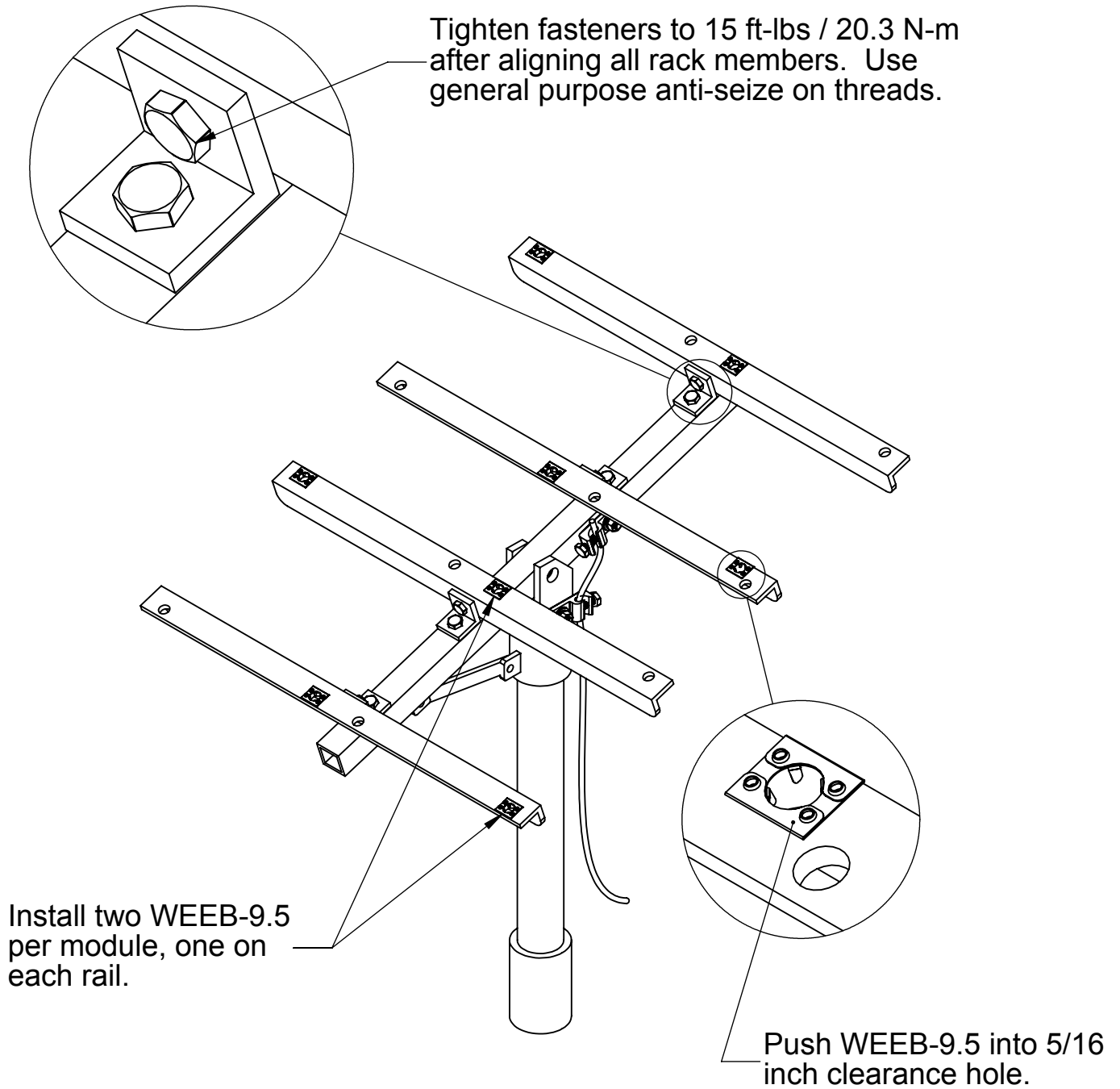
WEEBLug Installation



WEEB-9.5 NL Installation



WEEB-9.5 Installation



Tighten fasteners to 15 ft-lbs / 20.3 N-m
using general purpose anti-seize
on threads.

